

# SC310 Series

USB Configurable, Single Band Vibration / Ultrasound plus Temperature Signal Conditioner



VIBRATION ANALYSIS HARDWARE

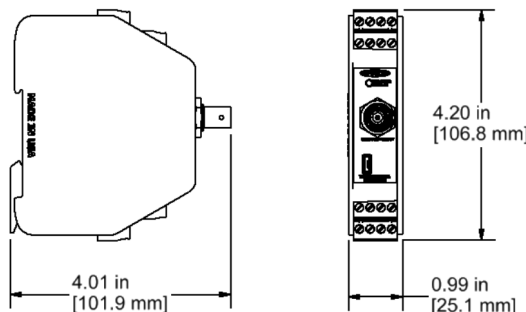


## Product Features

Micro USB port and dedicated software allow for field configuration of input signal, scale values, filtering options and outputs; built-in IEPE supply for powering sensors can be toggled on or off configurations. \*\*USB Configurator Cord Sold Separately

Provides process control signals to a PLC, DCS, or SCADA system that are proportional to the vibration levels set within the signal conditioner.

- ▶ Accepts a variety of signal inputs: acceleration, velocity, temperature and displacement; capable of monitoring ultrasound frequency signals up to 40 kHz
- ▶ Provides a user selectable band-pass filtered output from one single axis sensor input
- ▶ An additional built-in temperature output is a standard supplied feature, which may be utilized when using a CTC TA200 series dual output vibration and temperature sensor



## Specifications

Output	4-20 mA output signal proportional to temperature input (1-1.7 VDC input) One fully configurable process control output signals for vibration (0-20 mA, 4-20 mA, 0-5 VDC, or 0-10 VDC)
Humidity Range	0-95% relative, non-condensing
Connectors	Screw Terminals, detachable
Input Power	24 to 32 VDC unregulated / 4W Absolute Maximum*
Sensor Power	24 VDC, 4 mA DC sensor excitation
Max Load Resistance	1000 ohms
Isolation	1000 VDC
Temperature Range	-40 to 176°F (-40 to 80°C)
Tolerance	No Load: ±2%* Scaling: ±6%*

## Built to Order

\*condition: VDC = 32V, CH1 = 20 mA, CH2 = 10 mA, Lifetime Warranty  
 Backed by our Unconditional Lifetime Warranty  
 Cooling is required if enclosure temperature exceeds 140°F (60°C)  
[www.ctconline.com](http://www.ctconline.com) | [sales@ctconline.com](mailto:sales@ctconline.com) | 888-924-5400